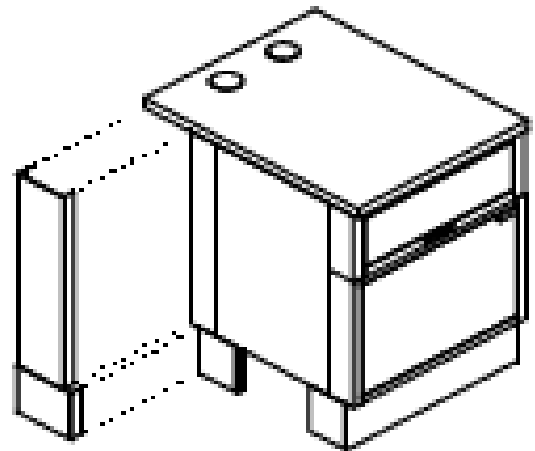
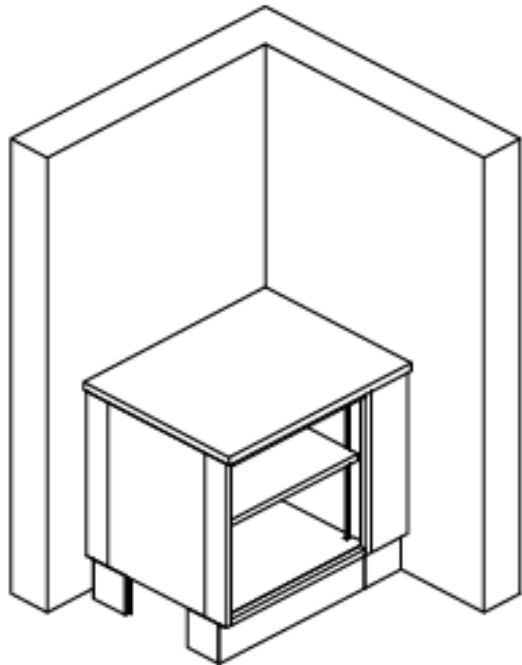




Fillers

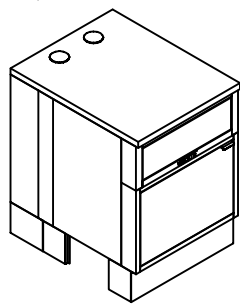
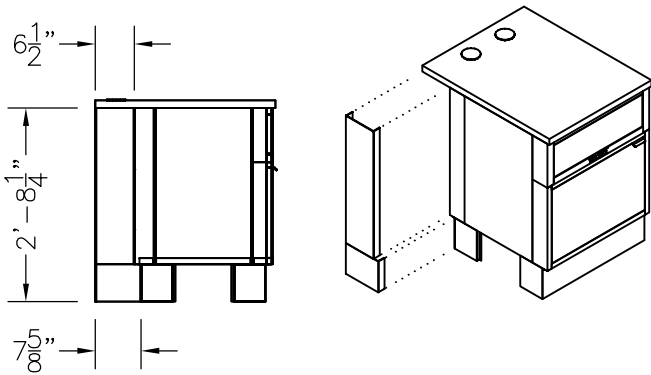


Royston LLC One Pickroy Road Jasper, GA 30143

800.334.1766

roystonllc.com

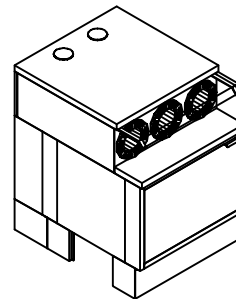
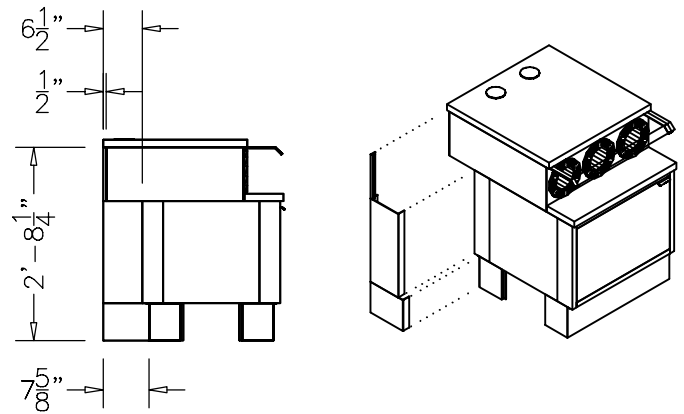
END FILLER



END FILLERS AVAILABLE FROM .5" TO 12.5" ON .5" INCREMENTS

CABINET SHOWN: CSEF06.50-34,B

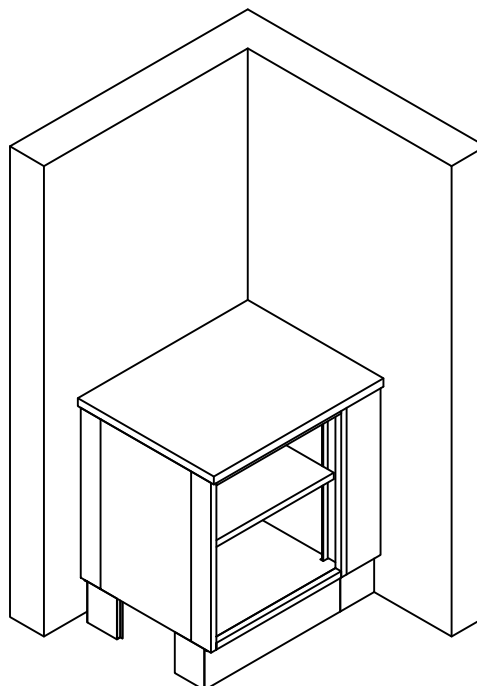
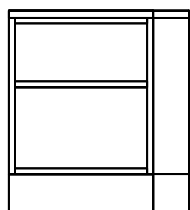
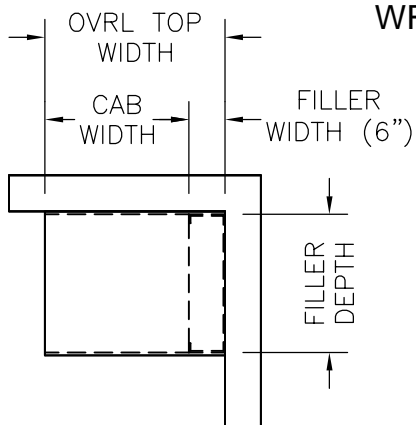
BEVERAGE END FILLER



BEVERAGE END FILLER ONLY USED WITH CABINETS THAT HAVE A 6" WRAPPER OVERHANG IN THE BACK.

CABINET SHOWN: CBEF00.50-06.50-34,B

WRAPPER FILLER

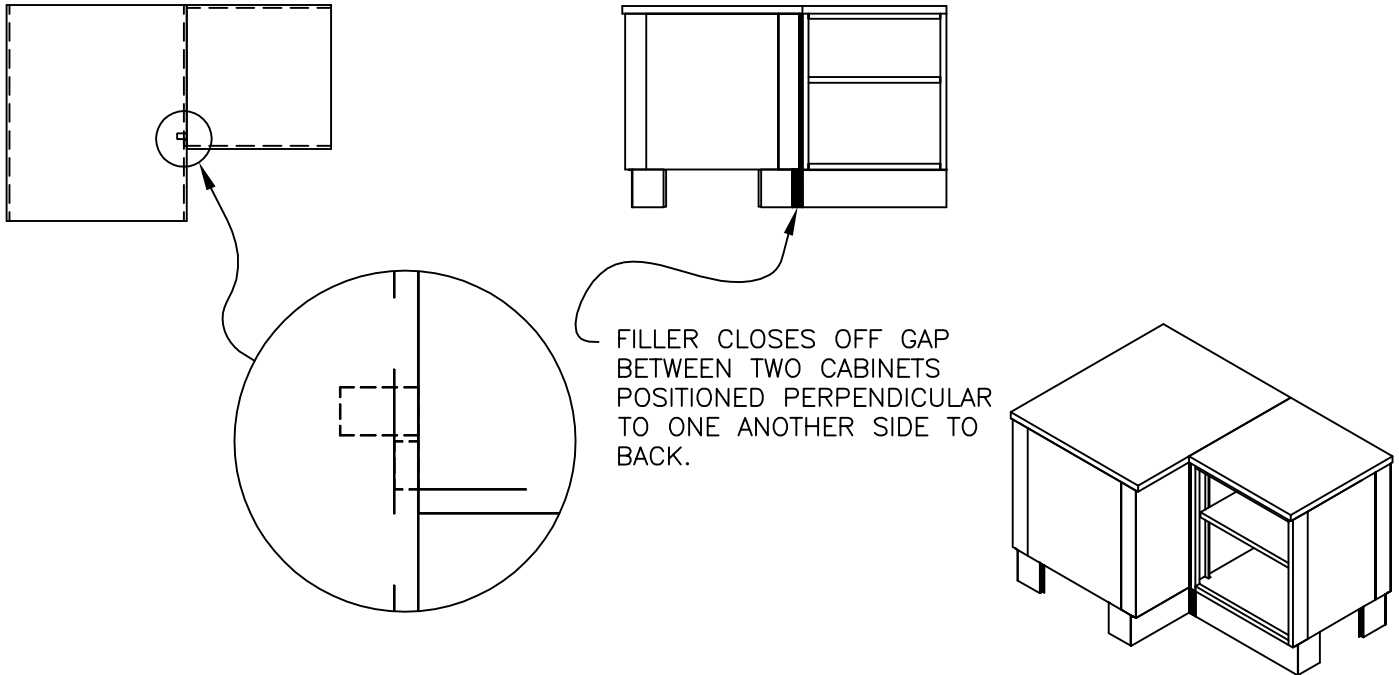


WRAPPER FILLER WIDTHS AVAILABLE FROM .5" TO 11.5" ON .25" INCREMENTS.

DEPTH AND HEIGHT TO MATCH CABINET THE FILLER IS BEING ATTACHED TO.

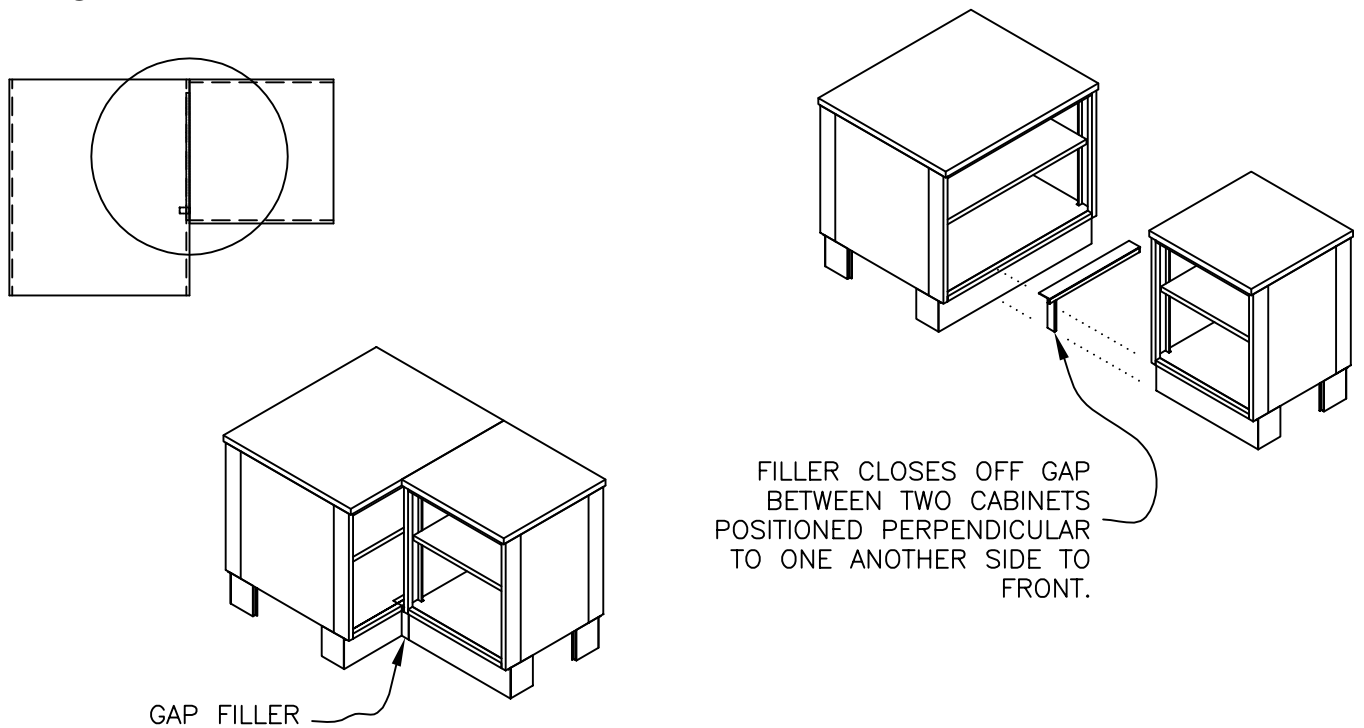
CABINET SHOWN: CSWF06.00-23-34,B

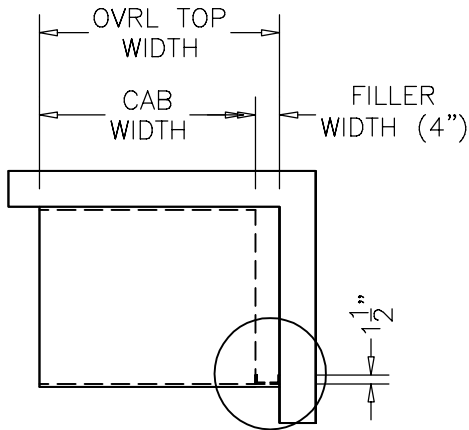
CORNER FILLER



CABINET SHOWN: CSEF00.05-34,B

GAP FILLER

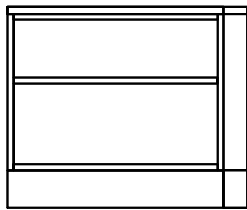
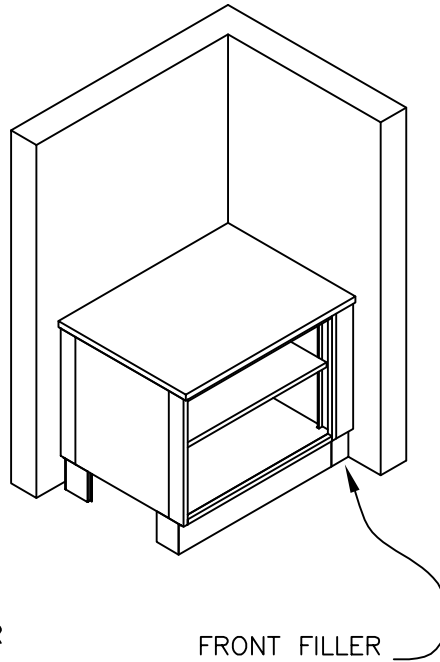




FRONT FILLER

FRONT FILLER WIDTHS AVAILABLE FROM .5" TO 11.5" ON .25" INCREMENTS.

HEIGHT TO MATCH CABINET THE FILLER IS BEING ATTACHED TO.

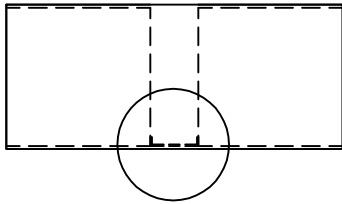


FRONT FILLER

FRONT FILLER

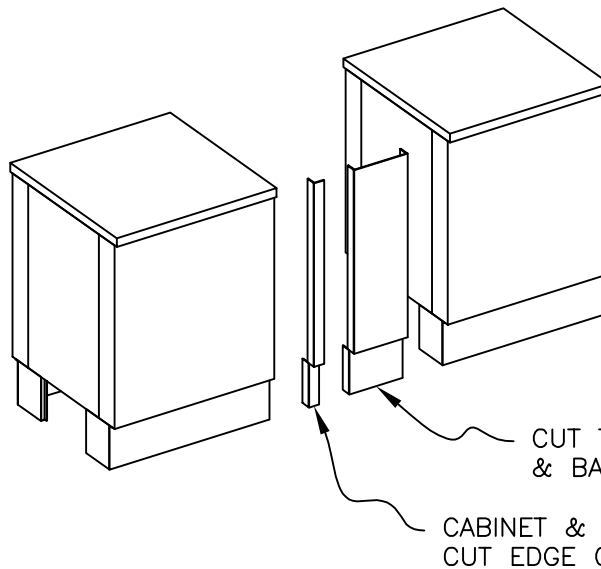
CABINET SHOWN: CSFF04.00-34,B

ADJUSTABLE FILLER



ADJUSTABLE FILLERS AVAILABLE IN 8" & 12" WIDTHS.

HEIGHT TO MATCH CABINET THE FILLER IS BEING ATTACHED TO.



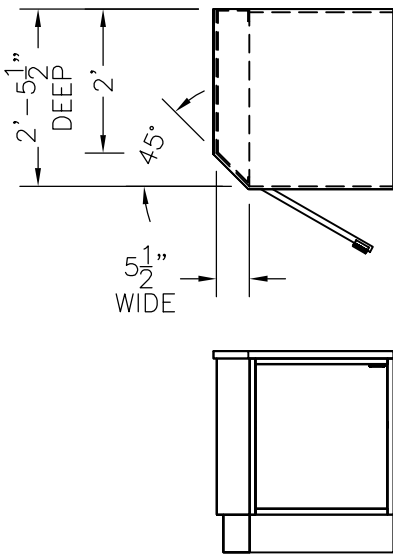
CUT TO FIT CABINET & BASE FILLER PANEL

CABINET & BASE CUT EDGE COVER PANEL

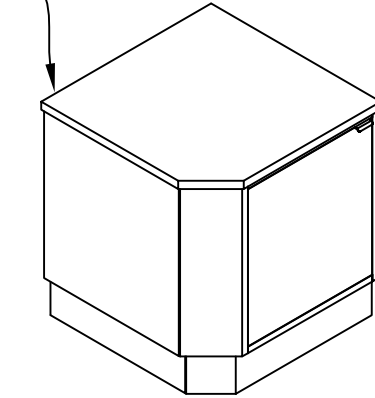
NOTE:
EXTRA TOP MATERIAL MUST BE SUPPLIED TO COVER THE FULL WIDTH OF UNCUT FILLER.

CABINET SHOWN: CSAF07.63-34,B NOT RECOMMENDED FOR USE WITH STAINLESS STEEL TOP MATERIAL.

45° MITER WRAP FILLER



FLUSH TO WALL
ON BACK

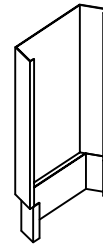


FILLER SIZES AVAILABLE

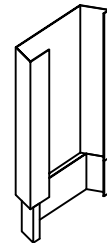
| WIDTH | DEPTH | HEIGHT |
|-------|---------|--------|
| 5.5" | 15.5" | 24.5" |
| | 17.5" | 27" |
| | 23.5" * | 33.5" |
| | 29.5" * | 36" |
| | 35.5" * | 42" |

* ALSO AVAILABLE WITH
7" RETURN FOR USE NEXT
TO BEVERAGE CABINET

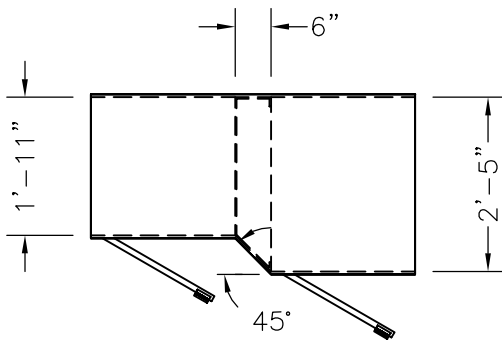
7" RETURN FOR
BEVERAGE



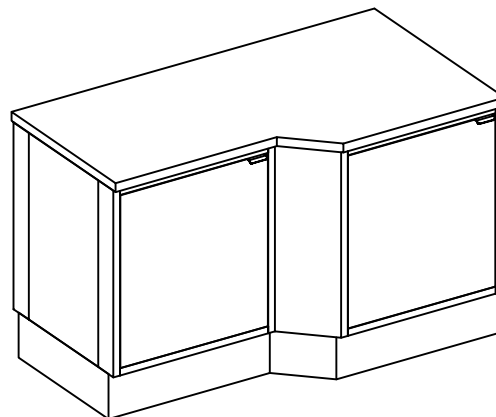
STANDARD FILLER



45° MITER TRANSITIONAL WRAP FILLER



FILLER SHOWN
TRANSITIONING
CABINET DEPTHS
(23" TO 29")

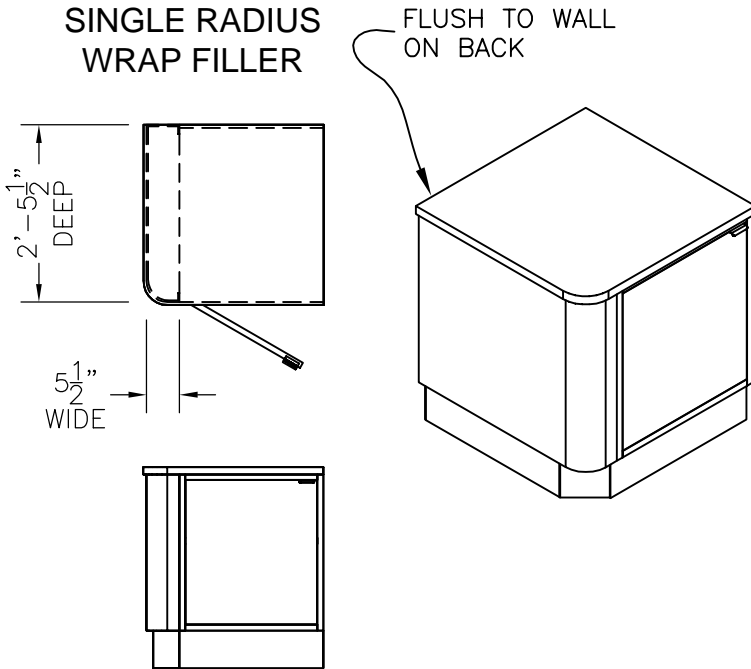


FILLER SIZES AVAILABLE

| WIDTH | DEPTH | HEIGHT |
|-------|------------|--------|
| 6" | 17" TO 23" | 24.5" |
| | 23" TO 29" | 27" |
| | 29" TO 35" | 33.5" |
| | | 36" |
| | | 42" |

ALL SIZES AVAILABLE WITH
7" RETURN FOR USE NEXT
TO BEVERAGE CABINET

SINGLE RADIUS WRAP FILLER



FILLER SIZES AVAILABLE

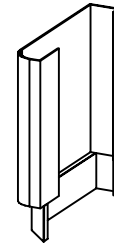
| WIDTH | DEPTH | HEIGHT |
|-------|---------|--------|
| 5.5" | 15.5" | 24.5" |
| | 17.5" | 27" |
| | 23.5" * | 33.5" |
| | 29.5" * | 36" |
| | 35.5" * | 42" |

* ALSO AVAILABLE WITH 7" RETURN FOR USE NEXT TO BEVERAGE CABINET

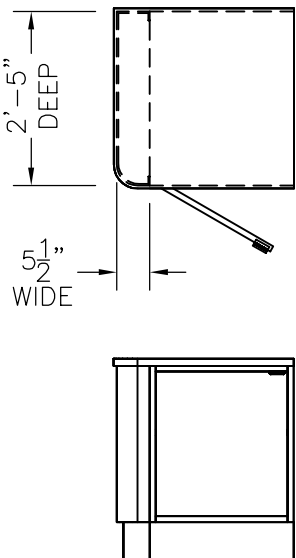
7" RETURN FOR BEVERAGE



STANDARD FILLER



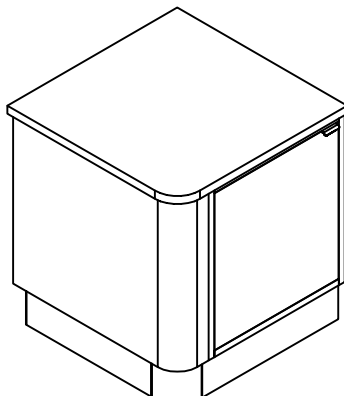
SINGLE RADIUS WRAP FILLER



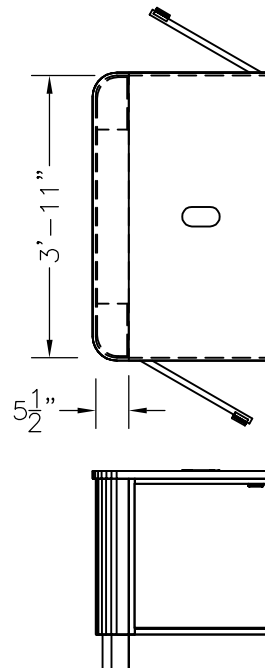
FILLER SIZES AVAILABLE

| WIDTH | DEPTH | HEIGHT |
|-------|-------|--------|
| 5.5" | 15" | 24.5" |
| | 17" | 27" |
| | 23" * | 33.5" |
| | 29" * | 36" |
| | 35" * | 42" |

* ALSO AVAILABLE WITH 7" RETURN FOR USE NEXT TO BEVERAGE CABINET

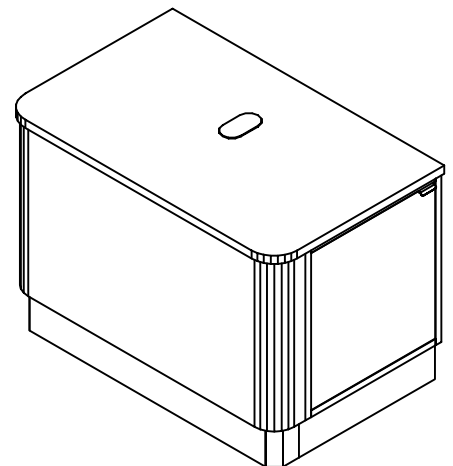


DOUBLE RADIUS WRAP FILLER for ISLAND ENDS



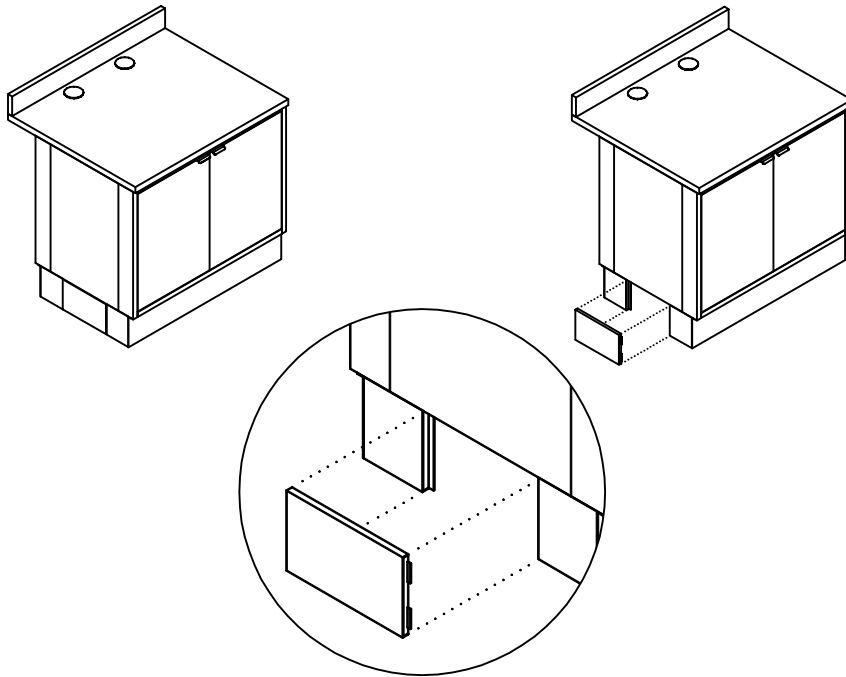
FILLER SIZES AVAILABLE

| WIDTH | DEPTH | HEIGHT |
|-------|-------|--------|
| 5.5" | 41" | 24.5" |
| | 47" | 27" |
| | 53" | 33.5" |
| | 59" | 36" |
| | 71" | |



BASE COVER PLATE

FILLER SIZES AVAILABLE



| CAB DEPTH | FLR DEPTH | PART # |
|-----------|-----------|----------|
| 15" | 2.25" | 25000615 |
| 17" | 4.25" | 25000617 |
| 23" | 10.25" | 25000623 |
| 29" | 16.25" | 25000629 |
| 35" | 22.25" | 25000635 |
| 47" | 34.25" | 25000647 |
| 59" | 46.25" | 25000659 |

CABINET SHOWN: PKG,BSE,UNV,06.25X23.00,END