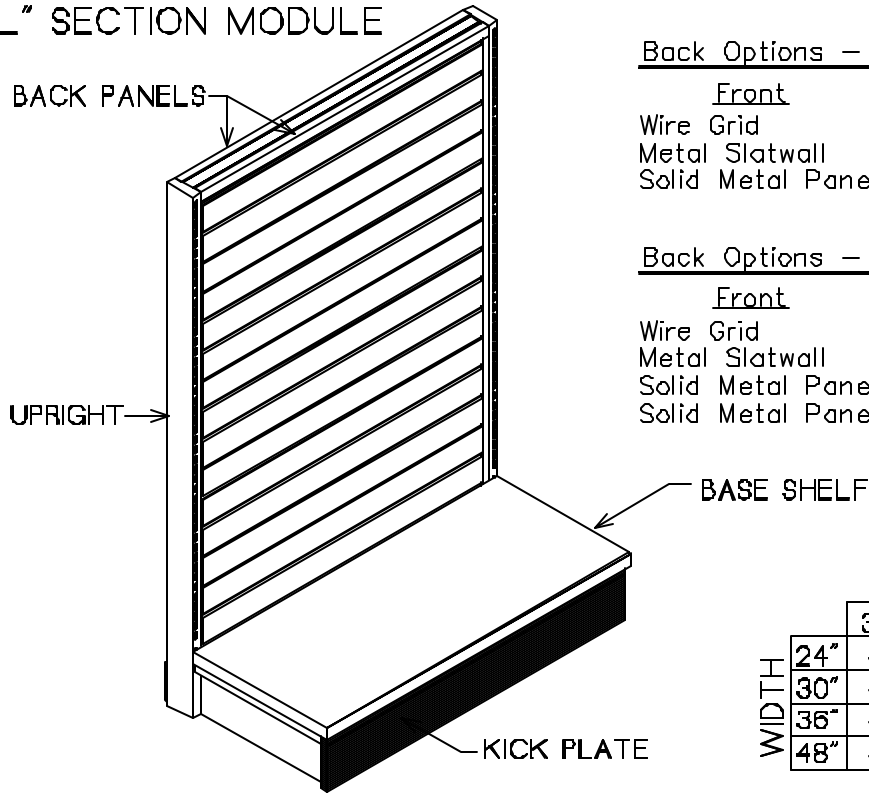


# Modular Merchandising System

## LM - "L" SECTION MODULE



### Back Options - "L's" used as End Caps

Front	Back
Wire Grid	Solid Metal Panel
Metal Slatwall	Solid Metal Panel
Solid Metal Panel	Solid Metal Panel

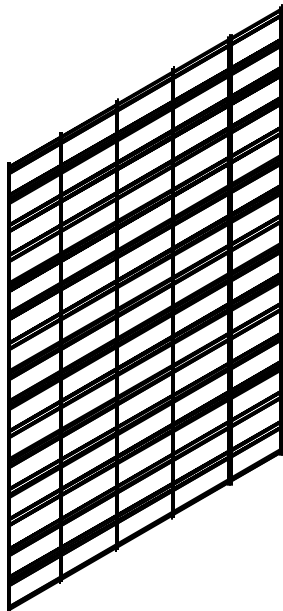
### Back Options - "L's" used as Wall Units

Front	Back
Wire Grid	Solid Metal Panel
Metal Slatwall	Solid Metal Panel
Solid Metal Panel	Solid Metal Panel
Solid Metal Panel	Nothing On Back

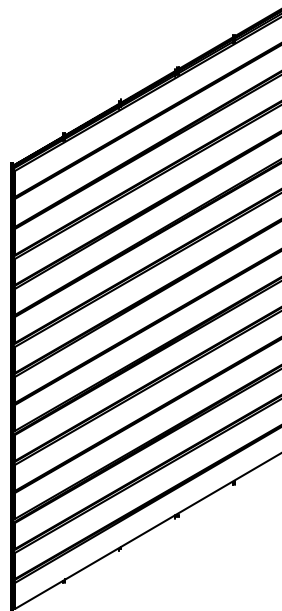
		HEIGHT					
		36"	42"	48"	54"	60"	72"
WIDTH	24"	✓	✓	✓	✓	✓	✓
	30"	✓	✓	✓	✓	✓	✓
	36"	✓	✓	✓	✓	✓	✓
	48"	✓	✓	✓	✓	✓	✓

## "L" SECTION BACK PANEL OPTIONS

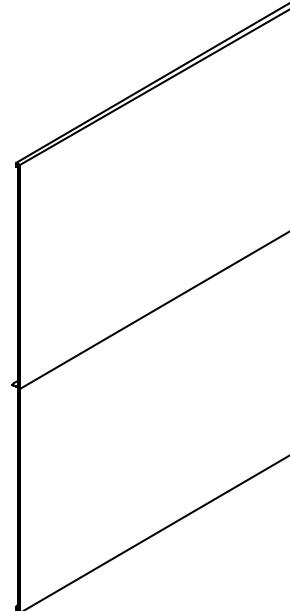
### WG - WIRE GRID



### SW - SLATWALL

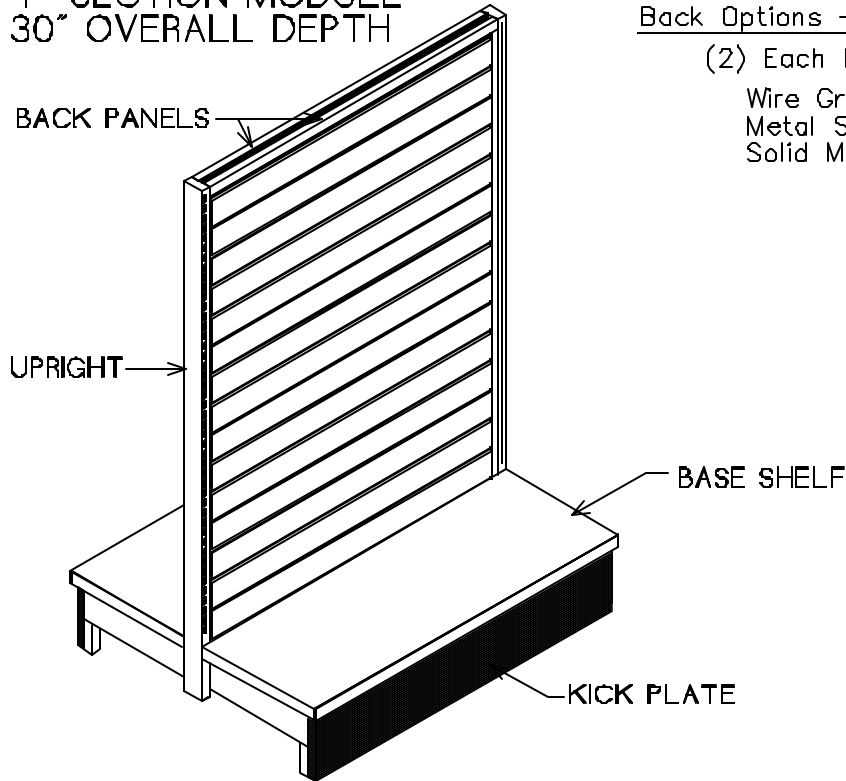


### SP - SOLID METAL PANEL



# Modular Merchandising System

TM -30 - "T" SECTION MODULE  
30" OVERALL DEPTH



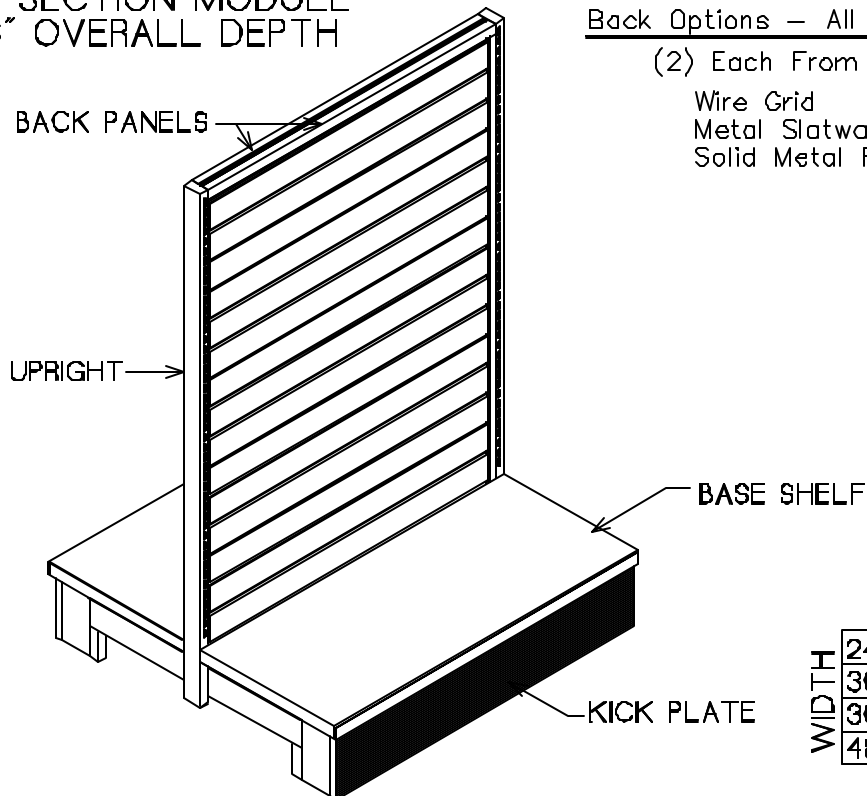
Back Options - All "T" Units

(2) Each From List

- Wire Grid
- Metal Slatwall
- Solid Metal Panel

		HEIGHT		
		48"	54"	60"
WIDTH	24"	✓	✓	✓
	30"	✓	✓	✓
	36"	✓	✓	✓
	48"	✓	✓	✓

TM -36 - "T" SECTION MODULE  
36" OVERALL DEPTH



Back Options - All "T" Units

(2) Each From List

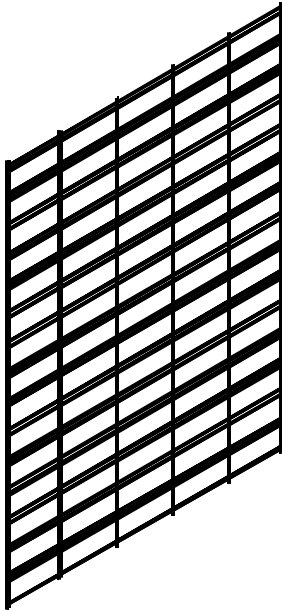
- Wire Grid
- Metal Slatwall
- Solid Metal Panel

		HEIGHT		
		48"	54"	60"
WIDTH	24"	✓	✓	✓
	30"	✓	✓	✓
	36"	✓	✓	✓
	48"	✓	✓	✓

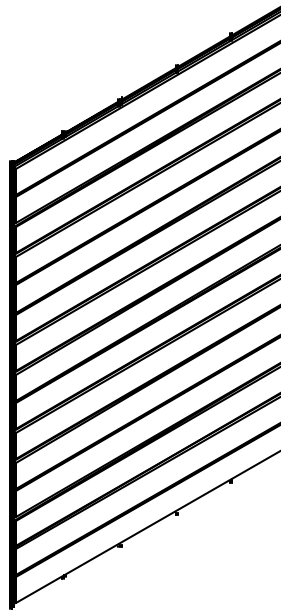
# Modular Merchandising System

## "T" SECTION BACK PANEL OPTIONS

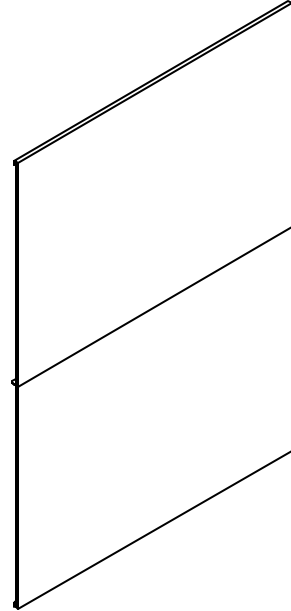
WG - WIRE GRID



SW - SLATWALL

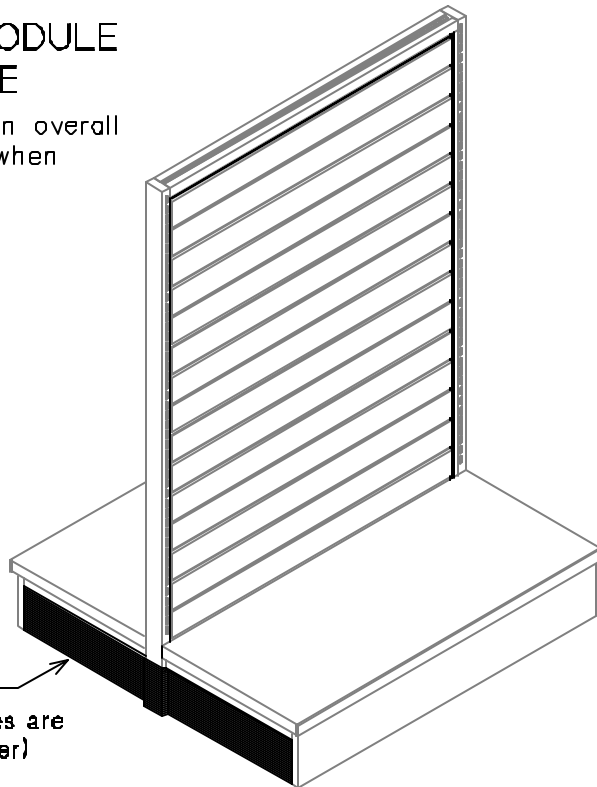


SP - SOLID METAL PANEL



## EKP - "T" SECTION MODULE END KICKPLATE

(Specify "T" Section overall depth, 30" or 36" when ordering)

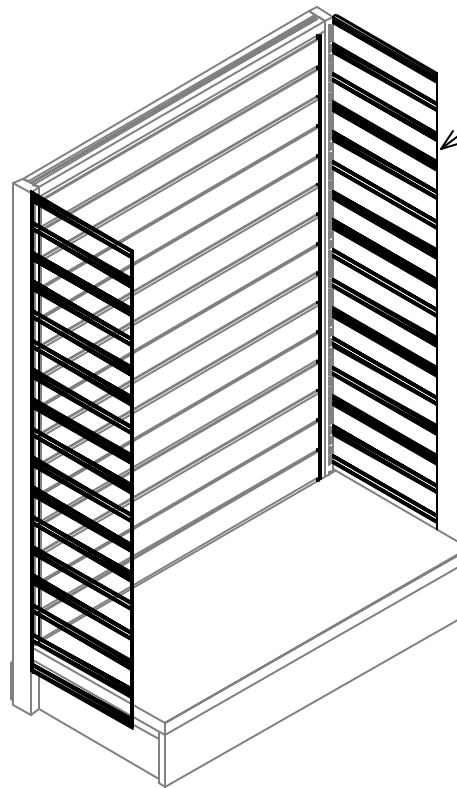


END KICKPLATE  
(use when modules are not joined together)

DEPTH	ITEM NO.
30"	1001227
36"	1001228

# Modular Merchandising System Accessories

PW - "L" SECTION  
POWER WING

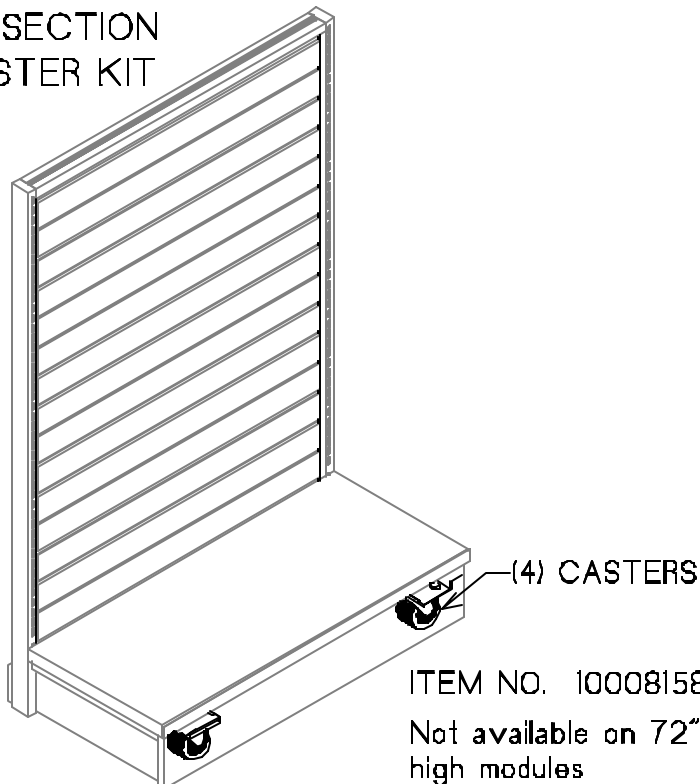


POWER WING  
LH & RH SHOWN

Available for all "L"  
Modules.

Specify height of  
"L" Module when  
ordering.

CK - "L" SECTION  
CASTER KIT



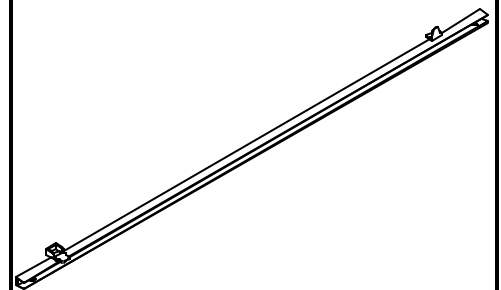
(4) CASTERS

ITEM NO. 10008158

Not available on 72"  
high modules

LL - "L" LOCK

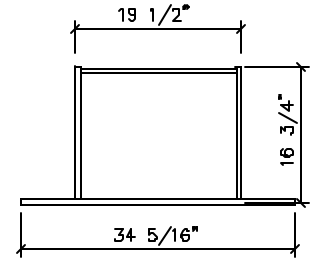
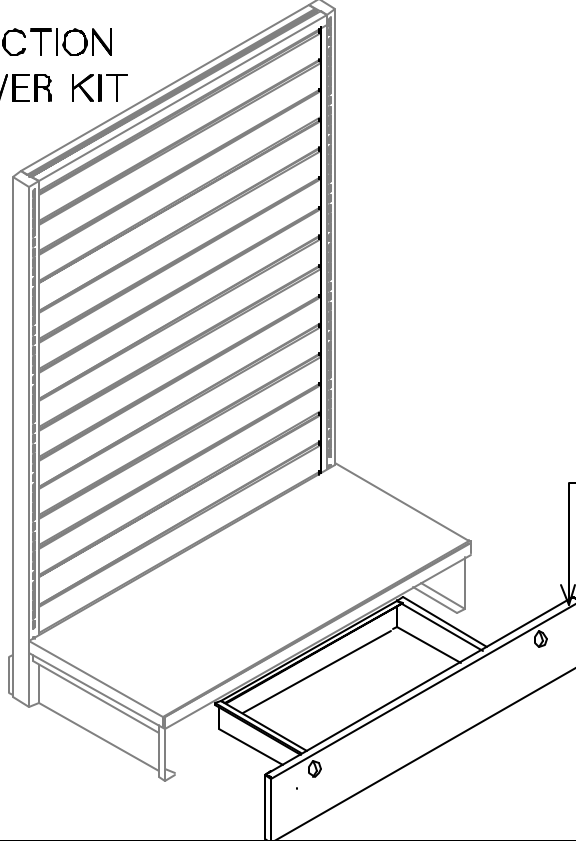
Required when "L"  
sections on casters are  
joined with "T" sections  
on casters.



ITEM NO. 10011303

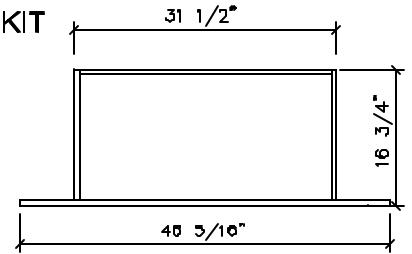
## Modular Merchandising System Accessories

DK - "L" SECTION  
DRAWER KIT



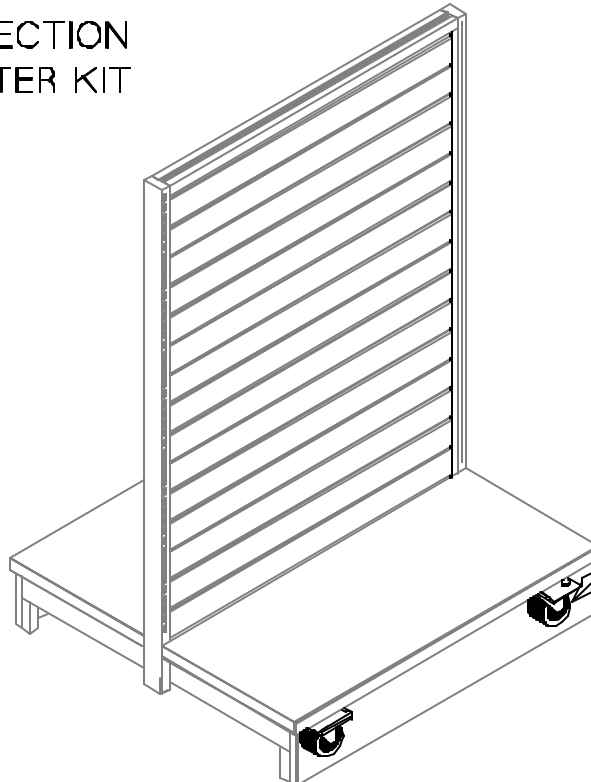
**36" DRAWER**  
ITEM NO. 10011132

DRAWER KIT



**48" DRAWER**  
ITEM NO. 10011147

CK - "T" SECTION  
CASTER KIT

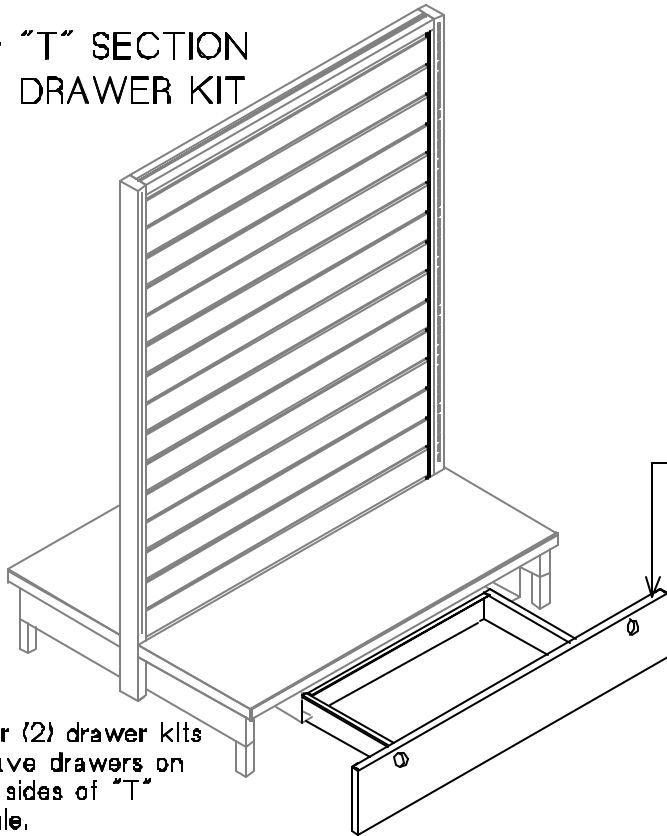


(4) CASTERS  
ON FRAME

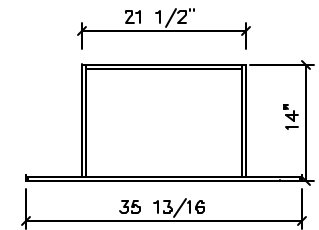
	ITEM NO.
FRAME WIDTH	24"
	30"
	36"
	48"

# Modular Merchandising System Accessories

DK - "T" SECTION  
DRAWER KIT

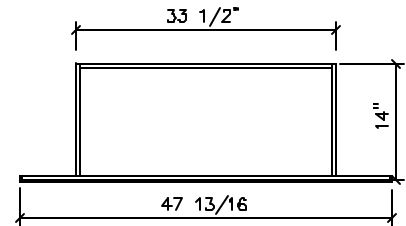


Order (2) drawer kits to have drawers on both sides of "T" module.



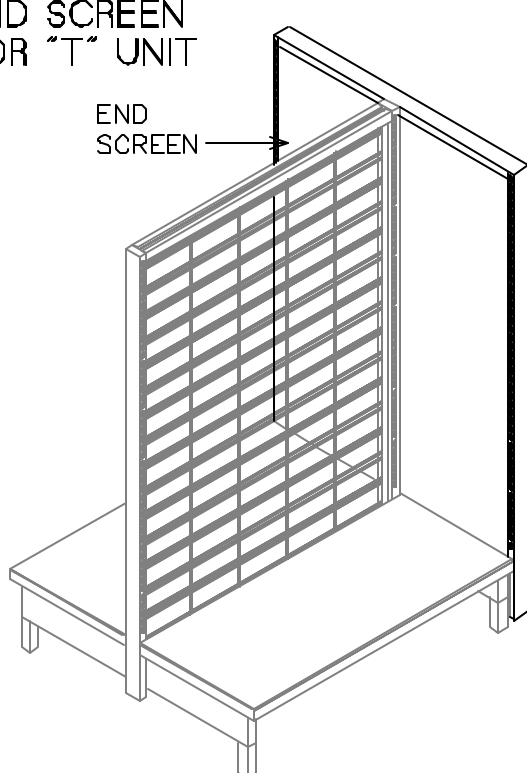
36" DRAWER  
ITEM NO. 10011140

DRAWER KIT

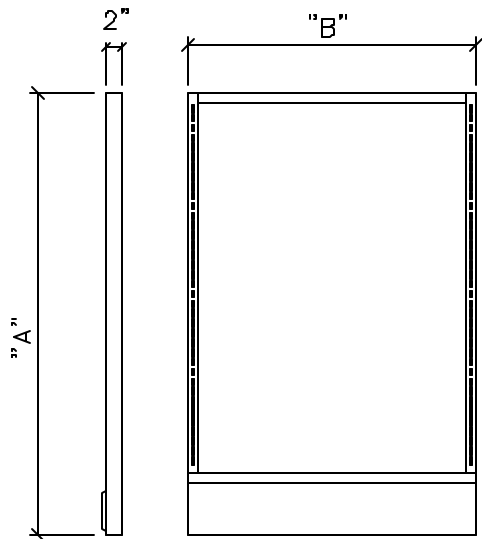


48" DRAWER  
ITEM NO. 10011146

ES - END SCREEN  
FOR "T" UNIT



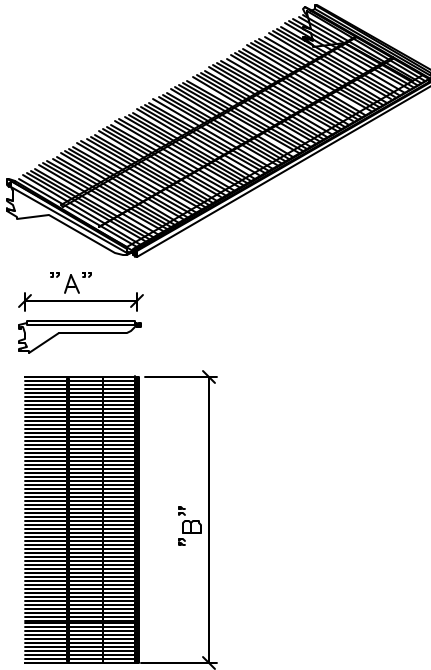
END SCREEN



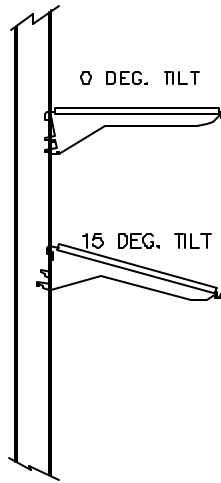
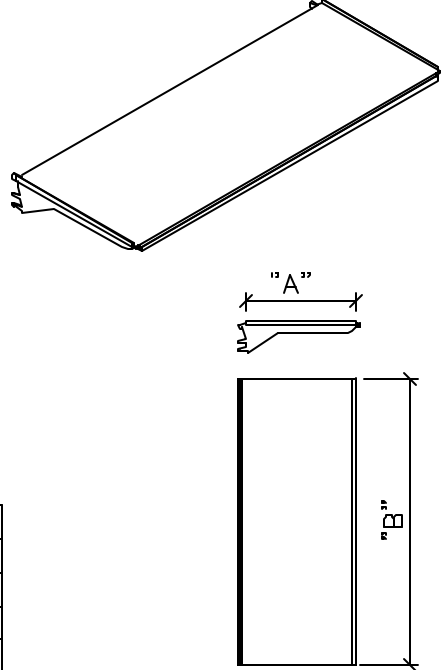
	"A"			
	48"	54"	60"	72"
"B"	24"	-	-	-
	30"	-	-	-
	36"	✓	✓	✓
	48"	✓	✓	✓

## Modular Merchandising System Shelves and Accessories

### WS - WIRE SHELVES

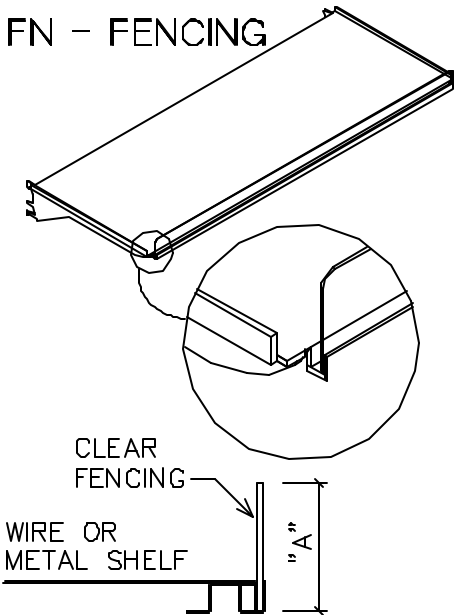


### MS - METAL SHELVES



"B" WIDTH	"A" DEPTH				
	8"	10"	12"	14"	16"
24"	✓	✓	✓	✓	✓
30"	✓	✓	✓	✓	✓
36"	✓	✓	✓	✓	✓
48"	✓	✓	✓	✓	✓

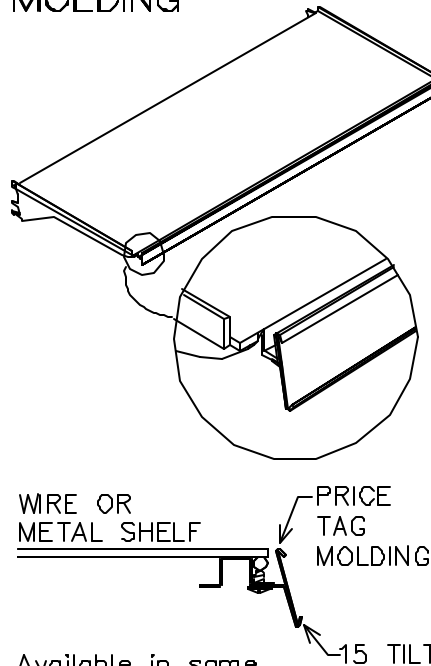
### FN - FENCING



Available in same widths as shelves (8) per package

WIDTH	"A"	
	1 1/2"	3"
24"	✓	✓
30"	✓	✓
36"	✓	✓
48"	✓	✓

### PTM - PRICE TAG MOLDING



Available in same widths as shelves (8) per package

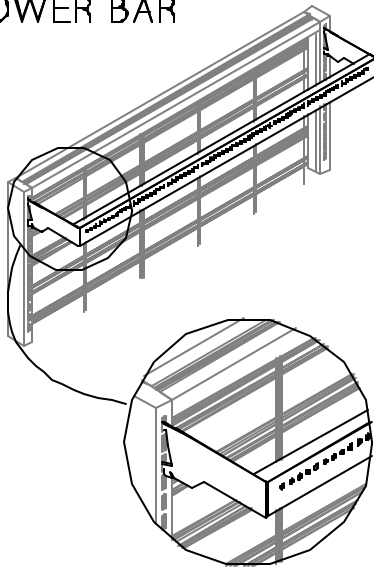
### CIN - COLOR INSERT FOR PRICE TAG MOLDING

AVAILABLE COLORS  
RED, BLUE, GREEN

36" long pieces  
cut-to fit  
(20) per package

## Modular Merchandising System Shelves and Accessories

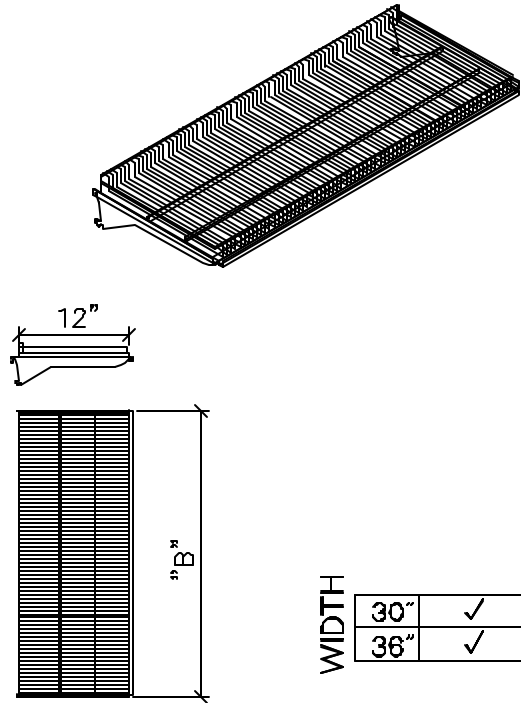
**PB – POWER BAR**



(4) per package

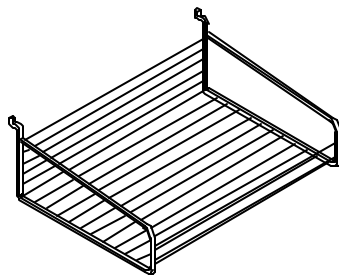
WIDTH	30"	✓
	36"	✓
	48"	✓

**WN – WINE SHELF**



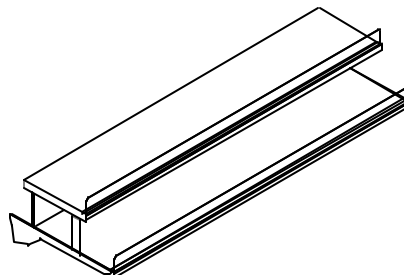
WIDTH	30"	✓
	36"	✓

**WB – WIRE BASKET**



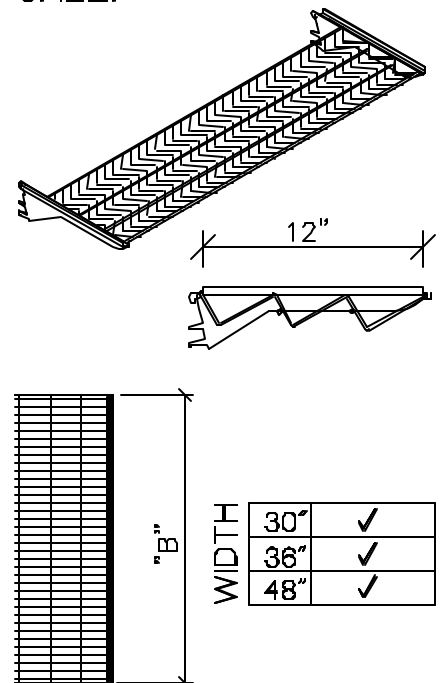
11" WIDE X 6" DEEP

**CGS – CANDY & GUM SHELF**



WIDTH	30"	✓
	36"	✓
	48"	✓

**CK – CAKE SHELF  
3-STEP CAKE SHELF**



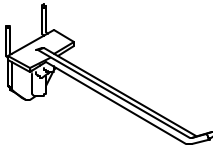
WIDTH	30"	✓
	36"	✓
	48"	✓



## Modular Merchandising System Shelves and Accessories

### PH – PEG HOOKS

Fits Peg Board,  
Slatwall and  
Wire Grid

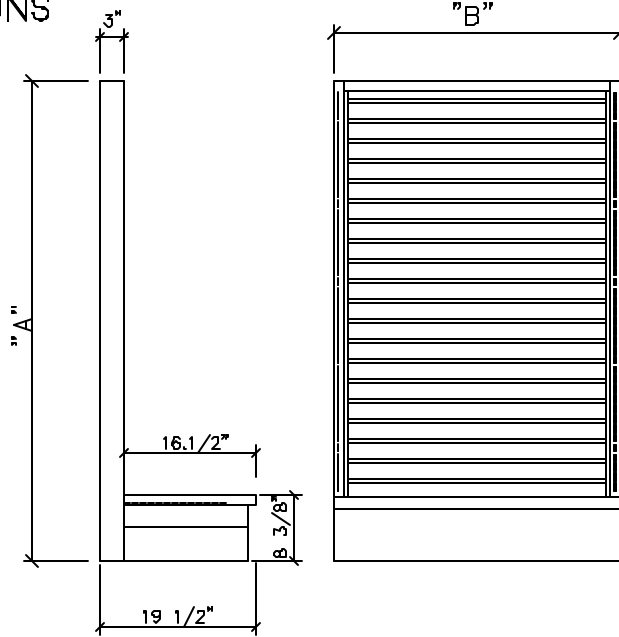


ITEM NO.	
LENGTH	6"
	10009158
	8"
	10009159
	10"
	10009160
	12"
	10009161

(50) per package

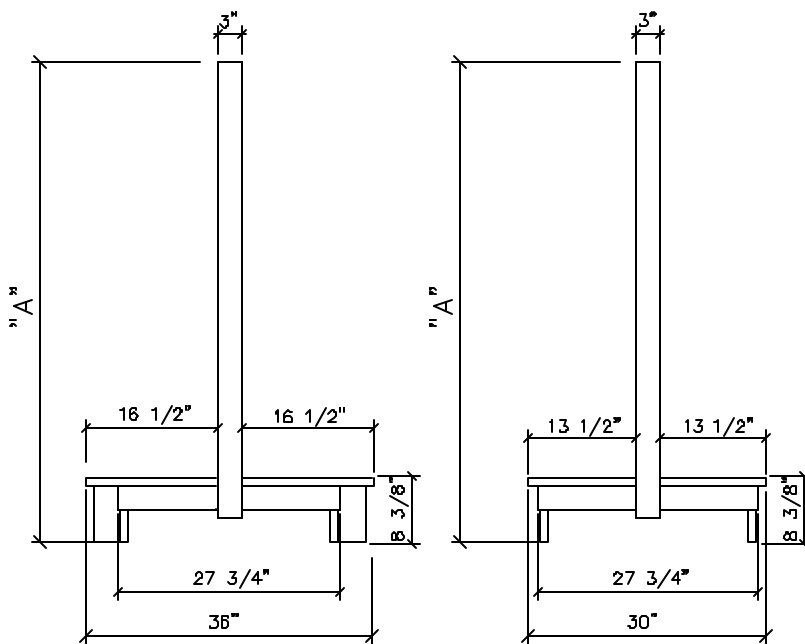
# Modular Merchandising System

## "L" SECTION DIMENSIONS



		"A" HEIGHT					
		36"	42"	48"	54"	60"	72"
"B" WIDTH	24"	✓	✓	✓	✓	✓	✓
	30"	✓	✓	✓	✓	✓	✓
	36"	✓	✓	✓	✓	✓	✓
	48"	✓	✓	✓	✓	✓	✓

## "T" SECTION DIMENSIONS



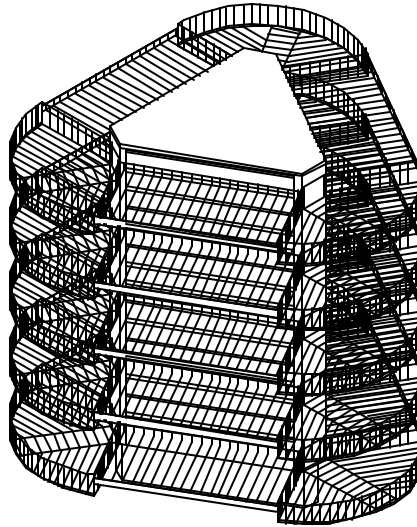
		"A" HEIGHT		
		48"	54"	60"
"B" WIDTH	24"	✓	✓	✓
	30"	✓	✓	✓
	36"	✓	✓	✓
	48"	✓	✓	✓

# Specialty Shelving

---

## 3-WAY MERCHANDISER

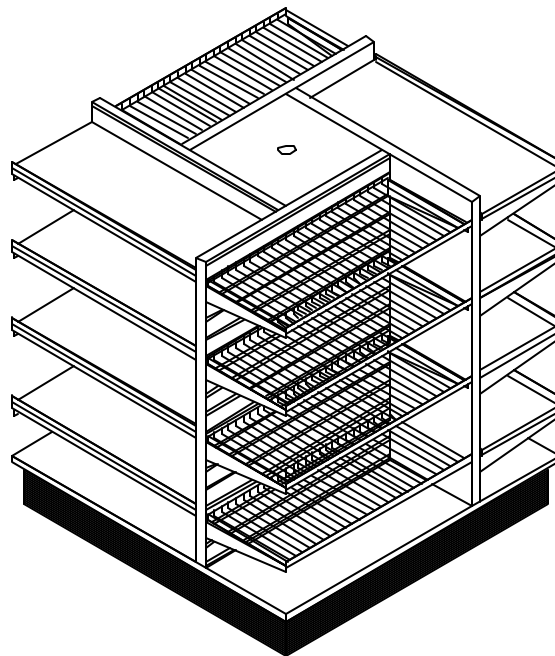
SEE SPECIALTY SHELVING  
PAGE FOR CORNER BASKETS



TYPICAL SHELVING ARRANGEMENT

---

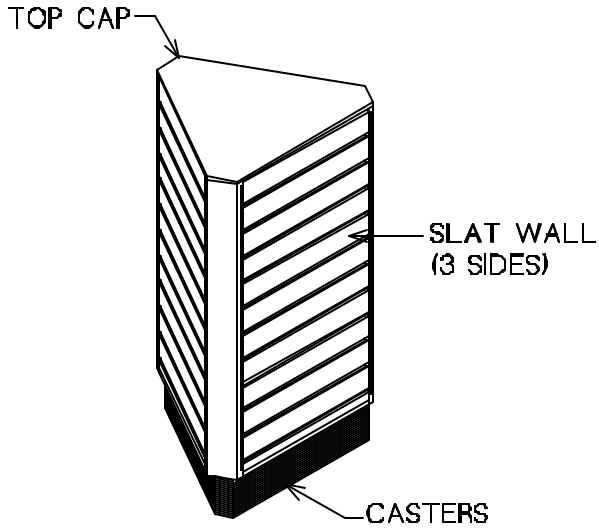
## 4-WAY MERCHANDISER



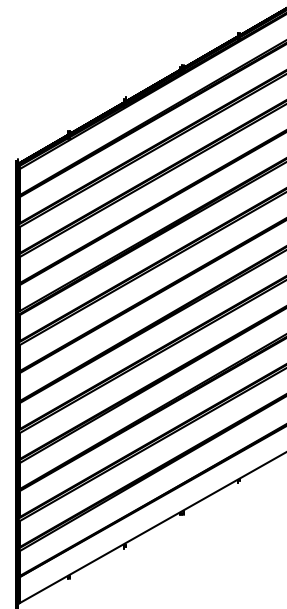
TYPICAL SHELVING ARRANGEMENT

## Specialty Shelving 3 - Way Merchandiser

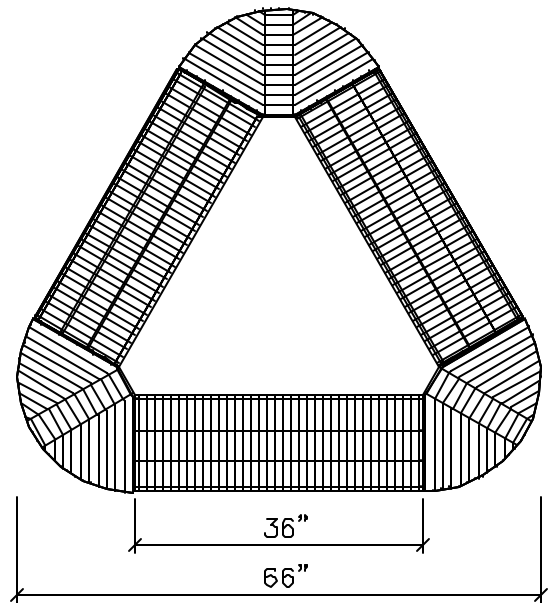
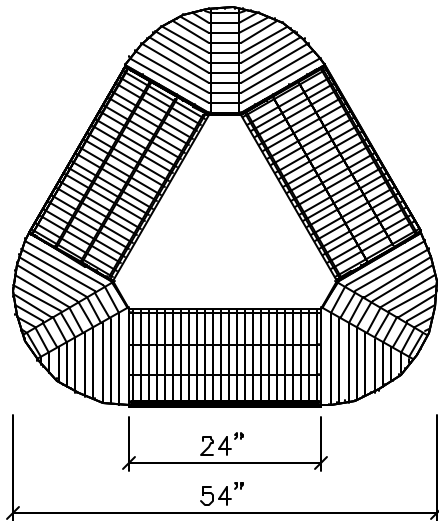
TM - TRIANGULAR MERCHANDISER  
ON CASTERS



TRIANGULAR BACK PANEL OPTION  
SW - SLATWALL



TRIANGULAR MERCHANDISER  
DIMENSIONS

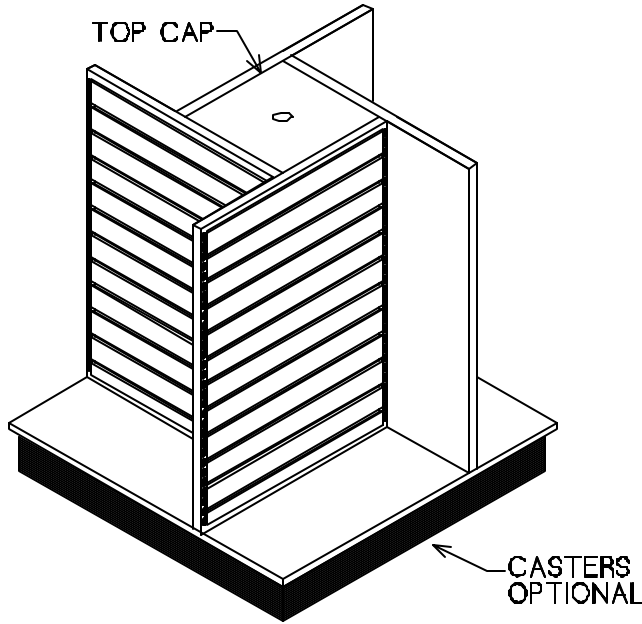


		HEIGHT	
		48"	54"
WIDTH	24"	✓	✓
	36"	✓	✓

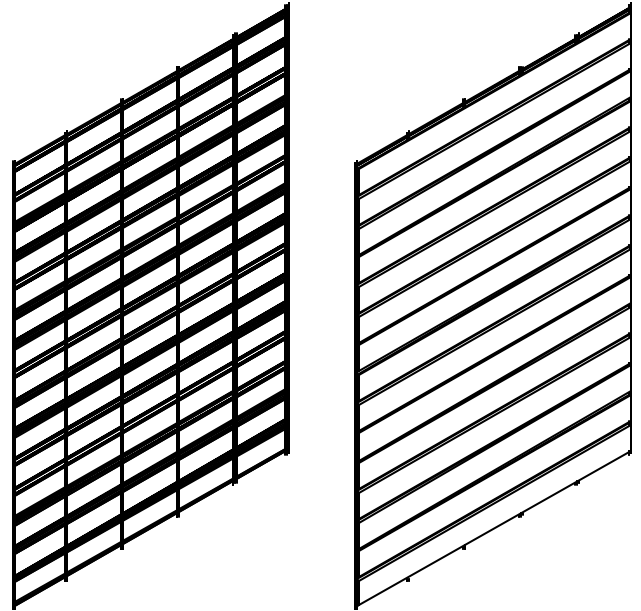
# Specialty Shelving

## 4 - Way Merchandiser

4W - 4 WAY MERCHANDISER

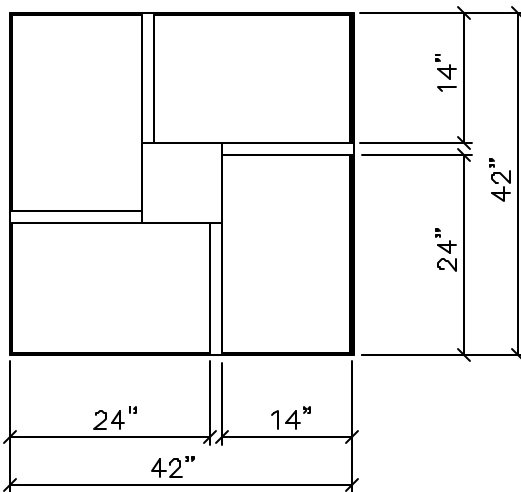


4-WAY BACK PANEL OPTIONS  
 WG - WIRE GRID      SW - SLATWALL

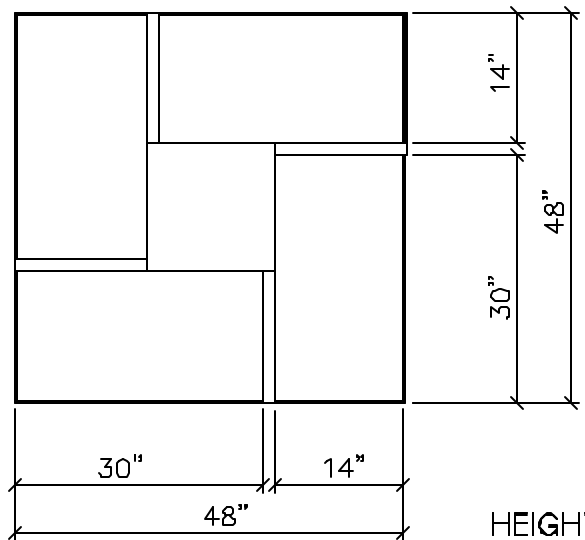


4 - WAY MERCHANDISER  
 DIMENSIONS

24" SHELF UNIT



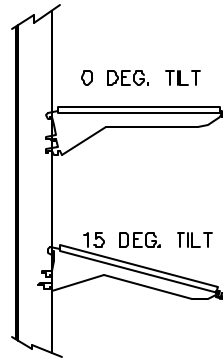
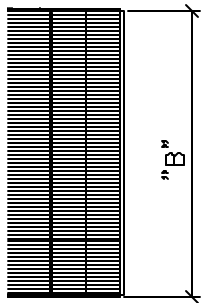
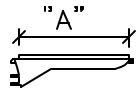
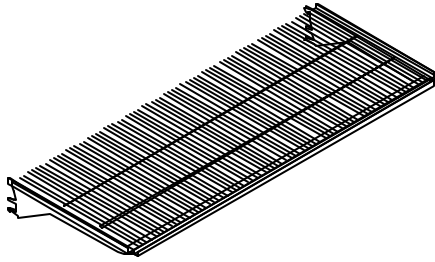
36" SHELF UNIT



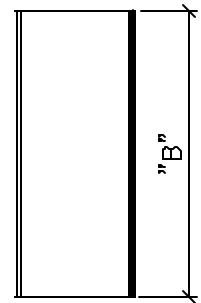
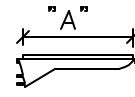
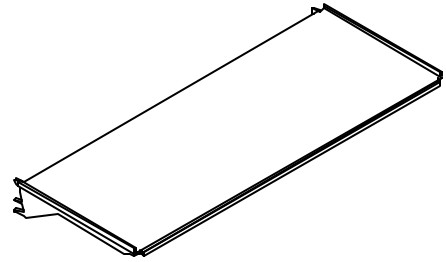
		HEIGHT	
		48"	54"
WIDTH	24"	✓	✓
	30"	✓	✓

## Specialty Shelving 3-Way & 4-Way Merchandiser - Shelves

### WS - WIRE SHELVES

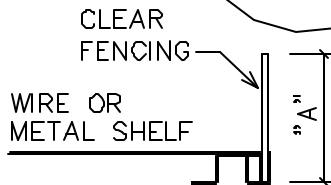
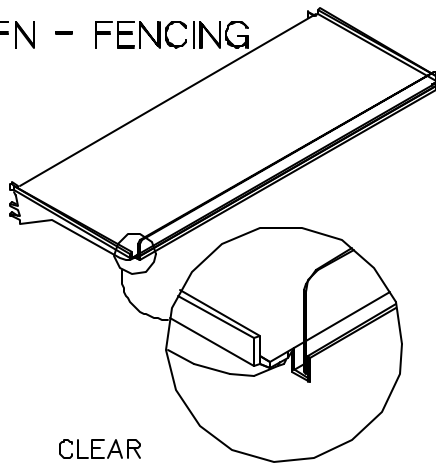


### MS - METAL SHELVES



	"B" WIDTH		"A" DEPTH			
			8"	10"	12"	14"
3-WAY	24"			✓		
3-WAY	36"			✓		
4-WAY	24"	✓	✓	✓	✓	
4-WAY	30"	✓	✓	✓	✓	

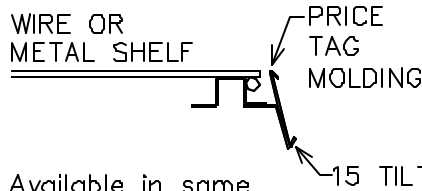
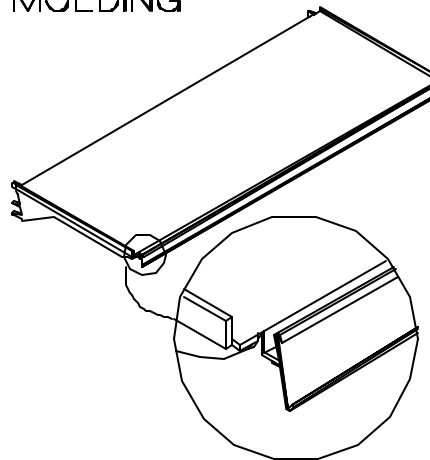
### FN - FENCING



Available in same widths as shelves (8) per package

WIDTH	"A"	
	1½"	3"
24"	✓	✓
30"	✓	✓
36"	✓	✓

### PTM - PRICE TAG MOLDING



Available in same widths as shelves (8) per package

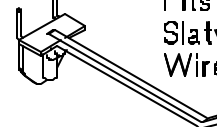
### CIN - COLOR INSERT FOR PRICE TAG MOLDING

AVAILABLE COLORS  
RED, BLUE, GREEN & CLEAR

36" long pieces cut-to fit

(20) per package

### PH - PEG HOOKS Fits Peg Board, Slatwall and Wire Grid



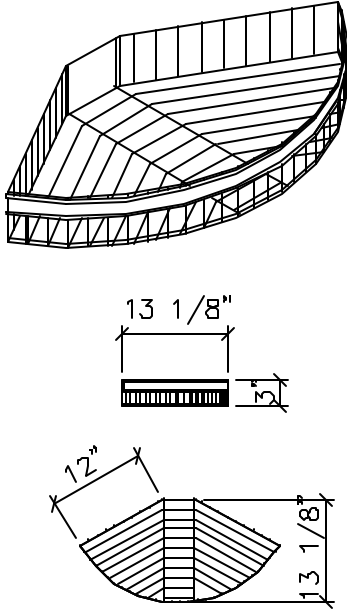
LENGTH	ITEM NO.
6"	10009158
8"	10009159
10"	10009160
12"	10009161

(50) per package

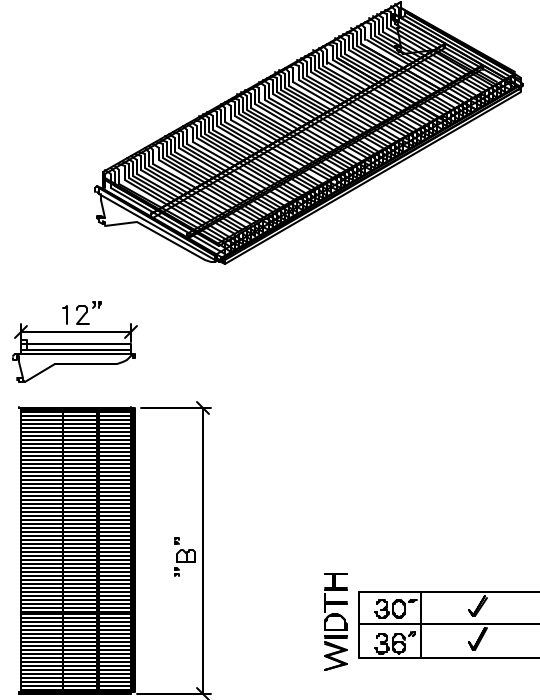
## Specialty Shelving

### 3-Way & 4-Way Merchandiser – Shelves

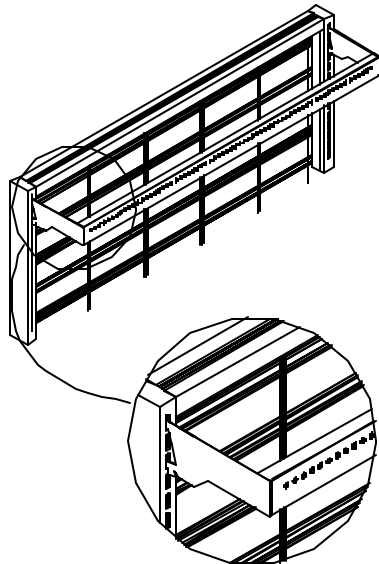
**RCBG – RADIUS CORNER BASKET**  
 (Fits 3-Way only)  
 (Includes price tag molding)



**WN – WINE SHELF**



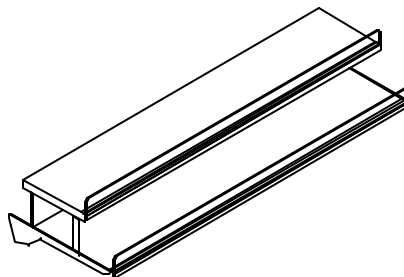
**PB – POWER BAR**



(4) per package

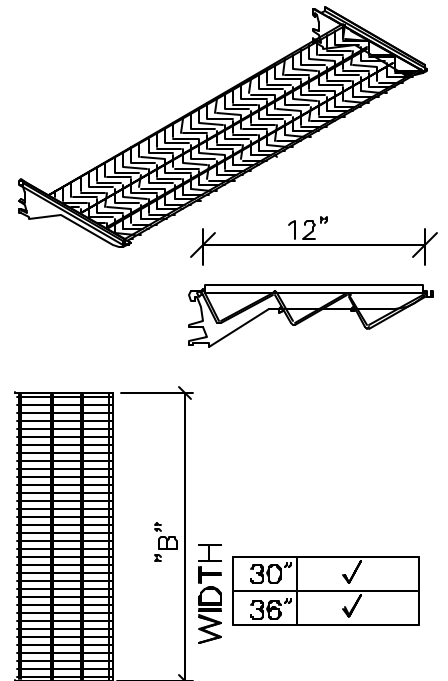
WIDTH	30"	✓
	36"	✓

**CGS – CANDY & GUM SHELF**



WIDTH	30"	✓
	36"	✓

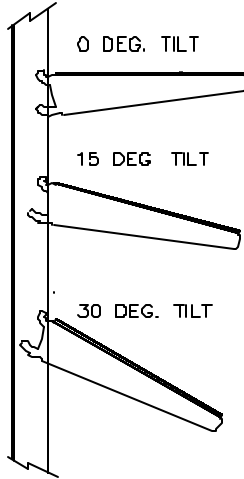
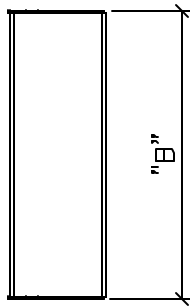
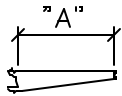
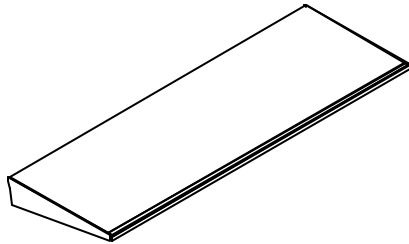
**CK – CAKE SHELF**  
**3-STEP CAKE SHELF**



# Gondola Specialty Shelving

## 4 - Way Merchandiser - Shelves

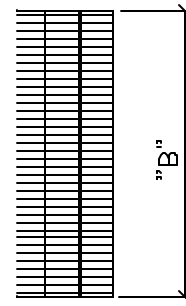
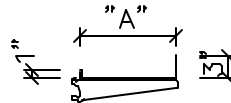
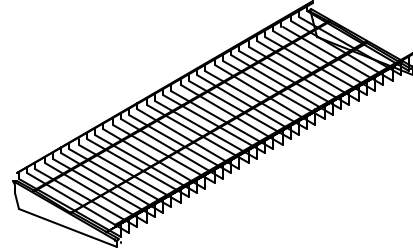
**MSG - METAL SHELVES**



"A" DEPTH

"B" WIDTH	"A" DEPTH				
	8"	10"	12"	14"	16"
27"	-	✓	✓	-	-

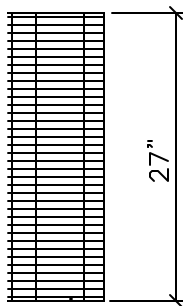
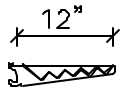
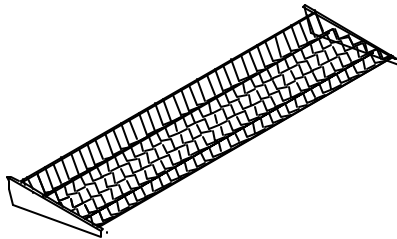
**WSG - WIRE SHELVES**



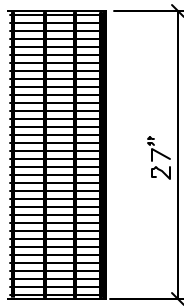
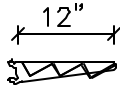
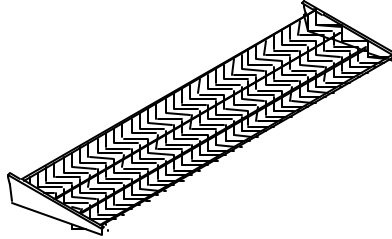
"A" DEPTH

"B" WIDTH	"A" DEPTH		
	9"	12"	16"
27"	-	✓	-

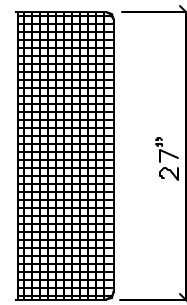
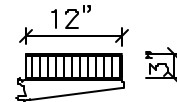
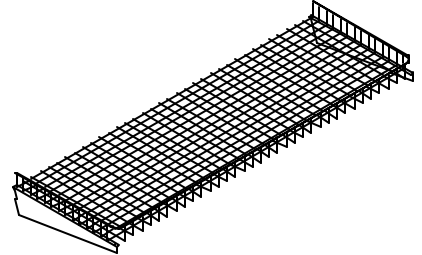
**PSG - PIE SHELF**



**CSG - CAKE SHELF**



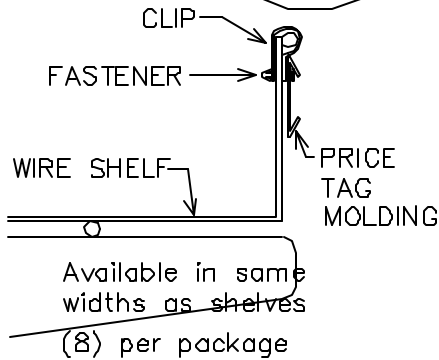
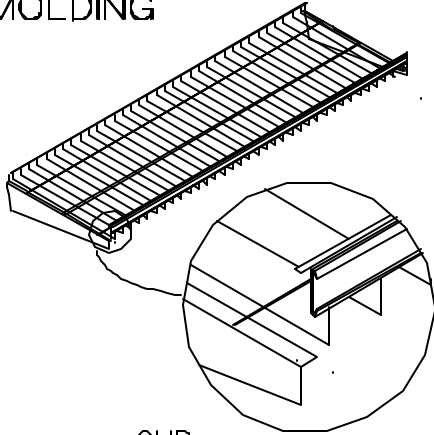
**WBG - WIRE BASKET**





## Gondola Specialty Shelving 4 - Way Merchandiser - Shelves

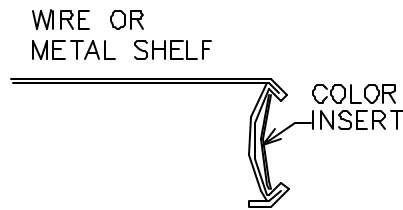
### PTMG - PRICE TAG MOLDING



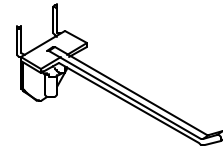
### CIN - COLOR INSERT FOR PRICE TAG MOLDING

AVAILABLE COLORS  
RED, BLUE, GREEN

36" long pieces  
cut-to fit  
(20) per package



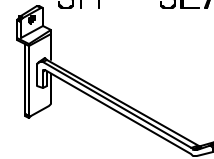
### PH - PEG HOOKS



LENGTH	ITEM NO.
6"	10009158
8"	10009159
10"	10009160
12"	10009161

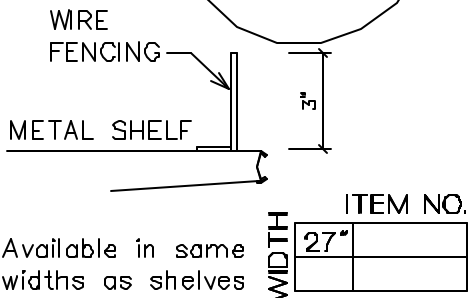
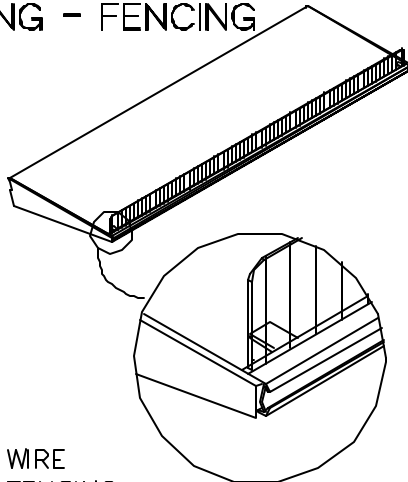
(50) per package

### SH - SLAT HOOKS



LENGTH	ITEM NO.
4"	189624
6"	186682
8"	188863
10"	186430
12"	194984

### FNG - FENCING



WIDTH	ITEM NO.
27"	